



ADAPTERS & EXTENSIONS

MALE x FEMALE

Straight extensions differ from adapters in that adapters join two non-mating threads while extensions join two parts with the same thread type. Extensions are often used to provide clearance for fittings in hard-to-reach spots.

TECHNICAL DRAWINGS ARE APPROXIMATE ACTUAL SIZE

DIAGRAM 1

Straight Adapter
Male x Female

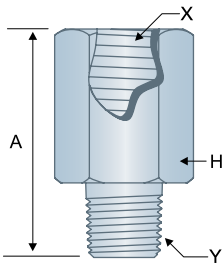


DIAGRAM 2

Straight Extension
Male x Female

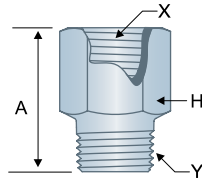


DIAGRAM 3

Straight Extension
Male x Female

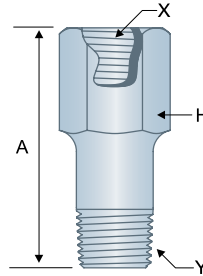


DIAGRAM 4

Straight Extension
Male x Female

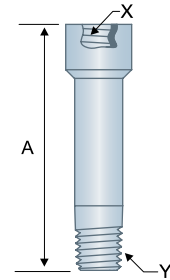


DIAGRAM 5

Straight Adapter
Male x Female

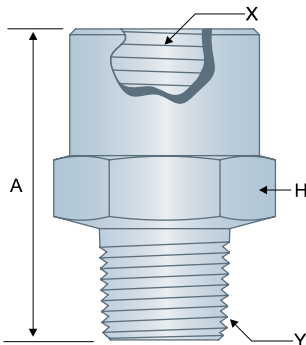
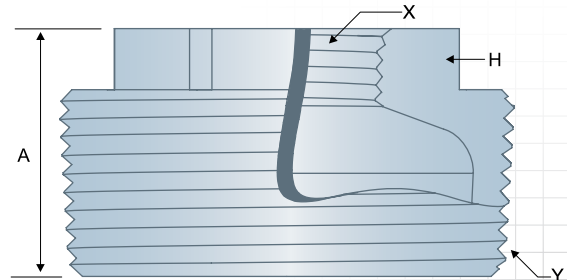


DIAGRAM 6

Straight Adapter
Male x Female



ALEMITE Item #	G.L. HUYETT Order #	Diagram #	Male Thread (Y)	Female Thread (X)	Angle (E)	Overall Length (A)	Hex (H)
51942	* A51942	Dia. 1	1/4"-28 SAE-LT (M)	1/8"-27 NPTF (F)	Straight	.87"	1/2"
305859	A305859	Dia. 1	7/16"-27 UNS (M)	1/8"-27 NPTF (F)	Straight	.78"	9/16"
43760	A43760	Dia. 1	1/8"-27 NPTF (M)	1/4"-18 NPTF (F)	Straight	1.19"	5/8"
43761	* A43761	Dia. 2	1/8"-27 NPTF (M)	1/8"-27 NPTF (F)	Straight	.75"	1/2"
43762	A43762	Dia. 3	1/8"-27 NPTF (M)	1/8"-27 NPTF (F)	Straight	1.25"	1/2"
336551	A336551	Dia. 4	1/4"-28 SAE-LT (M)	1/4"-28 UNF (F)	Straight	1.28"	—
52797	A52797	Dia. 5	3/8"-18 NPTF (M)	1/2"-14 NPTF (F)	Straight	1.62"	1"
338552	A338552	Dia. 6	2"-11 1/2 NPT (M)	3/4"-14 NPT (F)	Straight	1.29"	1-5/8"