



ADAPTERS

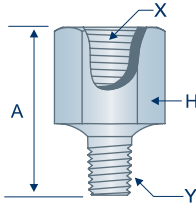
MALE × FEMALE

Adapters are often implemented in applications where a thread size needs to be changed to accompany a mating part. This is generally done to accommodate common thread sizes, retrofit aftermarket parts to an existing assembly or allow for the tapping of larger threads to replace a damaged part.

TECHNICAL DRAWINGS ARE APPROXIMATE ACTUAL SIZE

HA51942Z3

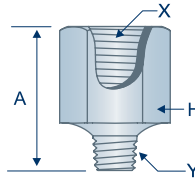
Straight Adapter
Female (X) - 1/8"-27 NPTF
Male (Y) - 1/4"-28 SAE-LT



 51942
 20024

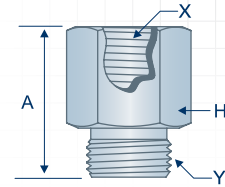
H51942

Straight Adapter
Female (X) - 1/8"-27 NPTF
Male (Y) - 1/4"-28 SAE-LT



H305859

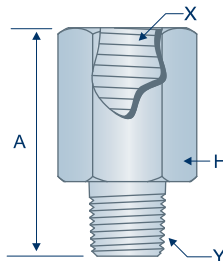
Straight Adapter
Female (X) - 1/8"-27 NPTF
Male (Y) - 7/16"-27 UNS



 305859

H43760

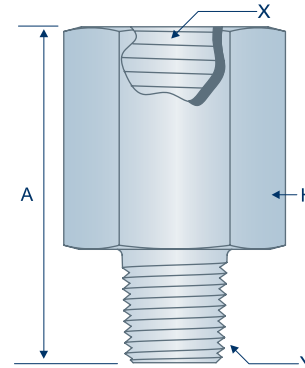
Straight Adapter
Female (X) - 1/4"-18 NPTF
Male (Y) - 1/8"-27 NPTF



 43760
 11229

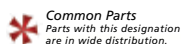
H12989

Straight Adapter
Female (X) - 1/2"-14 NPTF
Male (Y) - 1/4"-18 NPTF



 12989

Item #	Male Thread (Y)	Female Thread (X)	Angle (E)	Overall Length (A)	Hex (H)
HA51942Z3 *	1/4"-28 SAE-LT (M)	1/8"-27 NPTF (F)	Straight	.87"	1/2"
H51942 *	1/4"-28 SAE-LT (M)	1/8"-27 NPTF (F)	Straight	.75"	1/2"
H305859	7/16"-27 UNS (M)	1/8"-27 NPTF (F)	Straight	.78"	9/16"
H43760	1/8"-27 NPTF (M)	1/4"-18 NPTF (F)	Straight	1.19"	5/8"
H12989	1/4"-18 NPTF (M)	1/2"-14 NPTF (F)	Straight	1.75"	1"



All manufacturer names and numbers are for cross reference identification purposes only. In no way are we implying that our parts were made by the manufacturers listed. Prices, materials, dimensions, tolerances, designs and grades subject to change without notice. © G.L. Huyett 2019

REVISED 03-19