

TECHNICAL DRAWINGS ARE APPROXIMATE ACTUAL SIZE

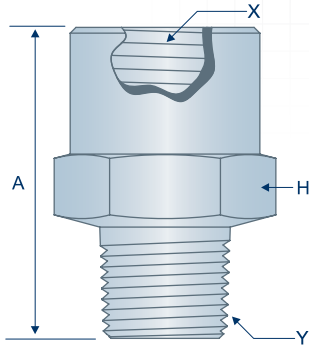
ADAPTERS

MALE × FEMALE

Adapters are used in order to accommodate common thread sizes, retrofit aftermarket parts to an existing assembly or allow for the tapping of larger threads to replace a damaged part. Metric to Inch adapters are beneficial for converting a metric threaded hole to accommodate an Inch grease fitting. The H338552 is most often used to adapt smaller pump inlets to larger lubricant drum holes or bungs.

H52797

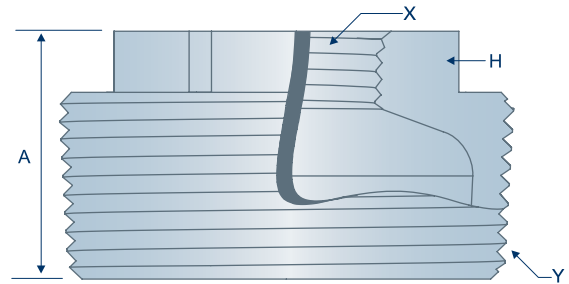
Straight Adapter
Female (X) - 1/2"-14 NPTF
Male (Y) - 3/8"-18 NPTF



52797

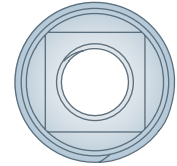
H338552

Straight Adapter
Female (X) - 3/4"-14 NPT
Male (Y) - 2"-11-1/2 NPT



338552

TOP VIEW

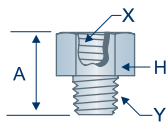


NOT ACTUAL SIZE

METRIC TO ENGLISH

HMET06

Straight Adapter
Female (X) - 1/4"-28 UNF
Male (Y) - M6 x 1.0

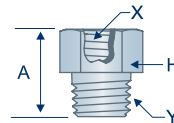


103307E



HMET08

Straight Adapter
Female (X) - 1/4"-28 UNF
Male (Y) - M8 x 1.0

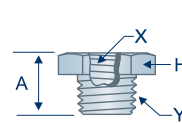


103308E



HMET10

Straight Adapter
Female (X) - 1/4"-28 UNF
Male (Y) - M10 x 1.0



103309E



| Item # | Male Thread (Y) | Female Thread (X) | Angle (E) | Overall Length (A) | Hex (H) |
|---------|-------------------|-------------------|-----------|--------------------|------------|
| H52797 | 3/8"-18 NPTF (M) | 1/2"-14 NPTF (F) | Straight | 1.62" | 1" |
| H338552 | 2"-11-1/2 NPT (M) | 3/4"-14 NPT (F) | Straight | 1.29" | 1-5/8" sq. |
| HMET06 | M6 X 1.0 (M) | 1/4"-28 UNF (F) | Straight | .43" | 9.0 mm |
| HMET08 | M8 X 1.0 (M) | 1/4"-28 UNF (F) | Straight | .45" | 3/8" |
| HMET10 | M10 X 1.0 (M) | 1/4"-28 UNF (F) | Straight | .32" | 7/16" |

Common Parts
Parts with this designation are in wide distribution.

Alemite®
Alemite® is a registered trademark of Alemite, LLC, Johnson City, TN, USA.

Lincoln Industrial®
Lincoln Industrial® is a registered trademark of Lincoln Industrial (USA) Corp.

John Deere®
John Deere® is a registered trademark of Deere and Company, Moline, Illinois.

All manufacturer names and numbers are for cross reference identification purposes only. In no way are we implying that our parts were made by the manufacturers listed. Prices, materials, dimensions, tolerances, designs and grades subject to change without notice. © G.L. Huyett 2019