

DOWEL PINS

HUYETT.COM • 785-392-3017

BOX 232 • MINNEAPOLIS, KS • 67467
SALES@HUYETT.COM • FAX 785-392-2845

STANDARD – METRIC

DIN 7

DESCRIPTION

A cylindrical solid pin with a spherical radiused crown end for easy insertion. Dowel pins are commonly used to retain parts in a fixed position or to preserve alignment. DIN 7 is unhardened.

HOW TO IDENTIFY

1. Verify solid pin with spherical radius end design.
2. Measure diameter (A).
3. Measure length (C).
4. Find the part in the chart below.



PREFIX MATERIAL/FINISH

DOWM = CARBON STEEL, PLAIN*
DOWM6 = 316 STAINLESS STEEL, PLAIN
DOWM3 = 300 SERIES STAINLESS STEEL, PLAIN
 Material/finish combinations may not be available in all sizes.

ADDITIONAL SIZES AND FINISHES MAY BE AVAILABLE UPON REQUEST

ITEM NUMBER	(C) OVERALL LENGTH
0.80 mm (A) Outside Diameter: +0.008/+0.002 mm	
	+0.30/-0.00 mm
PREFIX-008-003	3.00 mm
PREFIX-008-004	4.00 mm
PREFIX-008-005	5.00 mm
PREFIX-008-006	6.00 mm
PREFIX-008-008	8.00 mm
PREFIX-008-010	10.00 mm
	+0.50/-0.00 mm
PREFIX-008-012	12.00 mm
PREFIX-008-014	14.00 mm
PREFIX-008-016	16.00 mm
PREFIX-008-018	18.00 mm
PREFIX-008-020	20.00 mm

ITEM NUMBER	(C) OVERALL LENGTH
1.00 mm (A) Outside Diameter: +0.008/+0.002 mm	
	+0.30/-0.00 mm
PREFIX-010-003	3.00 mm
PREFIX-010-004	4.00 mm
PREFIX-010-005	5.00 mm
PREFIX-010-006	6.00 mm
PREFIX-010-008	8.00 mm

ITEM NUMBER	(C) OVERALL LENGTH
PREFIX-010-010	10.00 mm
	+0.50/-0.00 mm
PREFIX-010-012	12.00 mm
PREFIX-010-014	14.00 mm
PREFIX-010-016	16.00 mm
PREFIX-010-018	18.00 mm
PREFIX-010-020	20.00 mm

ITEM NUMBER	(C) OVERALL LENGTH
1.50 mm (A) Outside Diameter: +0.008/+0.002 mm	
	+0.30/-0.00 mm
PREFIX-015-003	3.00 mm
PREFIX-015-004	4.00 mm
PREFIX-015-005	5.00 mm
PREFIX-015-006	6.00 mm
PREFIX-015-008	8.00 mm
PREFIX-015-010	10.00 mm
	+0.50/-0.00 mm
PREFIX-015-012	12.00 mm
PREFIX-015-014	14.00 mm
PREFIX-015-016	16.00 mm
PREFIX-015-018	18.00 mm
PREFIX-015-020	20.00 mm
PREFIX-015-022	22.00 mm
PREFIX-015-024	24.00 mm

ITEM NUMBER	(C) OVERALL LENGTH
PREFIX-015-026	26.00 mm
PREFIX-015-028	28.00 mm
PREFIX-015-030	30.00 mm
PREFIX-015-032	32.00 mm

ITEM NUMBER	(C) OVERALL LENGTH
2.00 mm (A) Outside Diameter: +0.008/+0.002 mm	
	+0.30/-0.00 mm
PREFIX-020-004	4.00 mm
PREFIX-020-005	5.00 mm
PREFIX-020-006	6.00 mm
PREFIX-020-008	8.00 mm
PREFIX-020-010	10.00 mm
	+0.50/-0.00 mm
PREFIX-020-012	12.00 mm
PREFIX-020-014	14.00 mm
PREFIX-020-016	16.00 mm
PREFIX-020-018	18.00 mm
PREFIX-020-020	20.00 mm
PREFIX-020-022	22.00 mm
PREFIX-020-024	24.00 mm
PREFIX-020-026	26.00 mm
PREFIX-020-028	28.00 mm
PREFIX-020-030	30.00 mm
PREFIX-020-032	32.00 mm

FOR DETAILED SPECIFICATIONS AND TOLERANCES, VISIT HUYETT.COM.

Prices, materials, dimensions, tolerances, designs, and grades subject to change without notice. © 2015 G.L. Huyett

*Limited warranty for surface finish: 30 days from date of shipment. See page 8 for details.



DIN 7

STANDARD – METRIC

ITEM NUMBER	(C) OVERALL LENGTH
-------------	-----------------------

2.50 mm	
(A) Outside Diameter: +0.008/+0.002 mm	
+0.30/-0.00 mm	
PREFIX-025-004	4.00 mm
PREFIX-025-005	5.00 mm
PREFIX-025-006	6.00 mm
PREFIX-025-008	8.00 mm
PREFIX-025-010	10.00 mm
+0.50/-0.00 mm	
PREFIX-025-012	12.00 mm
PREFIX-025-014	14.00 mm
PREFIX-025-016	16.00 mm
PREFIX-025-018	18.00 mm
PREFIX-025-020	20.00 mm
PREFIX-025-022	22.00 mm
PREFIX-025-024	24.00 mm
PREFIX-025-026	26.00 mm
PREFIX-025-028	28.00 mm
PREFIX-025-030	30.00 mm
PREFIX-025-032	32.00 mm
PREFIX-025-036	36.00 mm
PREFIX-025-040	40.00 mm

3.00 mm	
(A) Outside Diameter: +0.008/+0.002 mm	
+0.30/-0.00 mm	
PREFIX-030-004	4.00 mm
PREFIX-030-005	5.00 mm
PREFIX-030-006	6.00 mm
PREFIX-030-008	8.00 mm
PREFIX-030-010	10.00 mm
+0.50/-0.00 mm	
PREFIX-030-012	12.00 mm
PREFIX-030-014	14.00 mm
PREFIX-030-016	16.00 mm
PREFIX-030-018	18.00 mm
PREFIX-030-020	20.00 mm
PREFIX-030-022	22.00 mm
PREFIX-030-024	24.00 mm
PREFIX-030-026	26.00 mm
PREFIX-030-028	28.00 mm
PREFIX-030-030	30.00 mm
PREFIX-030-032	32.00 mm
PREFIX-030-036	36.00 mm
PREFIX-030-040	40.00 mm
PREFIX-030-045	45.00 mm
PREFIX-030-050	50.00 mm
+0.80/-0.00 mm	
PREFIX-030-055	55.00 mm
PREFIX-030-060	60.00 mm

ITEM NUMBER	(C) OVERALL LENGTH
-------------	-----------------------

3.50 mm	
(A) Outside Diameter: +0.012/+0.004 mm	
+0.50/-0.00 mm	
PREFIX-035-022	22.00 mm

4.00 mm	
(A) Outside Diameter: +0.012/+0.004 mm	
+0.30/-0.00 mm	
PREFIX-040-005	5.00 mm
PREFIX-040-006	6.00 mm
PREFIX-040-008	8.00 mm
PREFIX-040-010	10.00 mm
+0.50/-0.00 mm	
PREFIX-040-012	12.00 mm
PREFIX-040-014	14.00 mm
PREFIX-040-016	16.00 mm
PREFIX-040-018	18.00 mm
PREFIX-040-020	20.00 mm
PREFIX-040-022	22.00 mm
PREFIX-040-024	24.00 mm
PREFIX-040-026	26.00 mm
PREFIX-040-028	28.00 mm
PREFIX-040-030	30.00 mm
PREFIX-040-032	32.00 mm
PREFIX-040-036	36.00 mm
PREFIX-040-038	38.00 mm
PREFIX-040-040	40.00 mm
PREFIX-040-045	45.00 mm
PREFIX-040-050	50.00 mm
+0.80/-0.00 mm	
PREFIX-040-055	55.00 mm
PREFIX-040-060	60.00 mm

5.00 mm	
(A) Outside Diameter: +0.012/+0.004 mm	
+0.30/-0.00 mm	
PREFIX-050-005	5.00 mm
PREFIX-050-006	6.00 mm
PREFIX-050-008	8.00 mm
PREFIX-050-010	10.00 mm
+0.50/-0.00 mm	
PREFIX-050-012	12.00 mm
PREFIX-050-014	14.00 mm
PREFIX-050-016	16.00 mm
PREFIX-050-018	18.00 mm
PREFIX-050-020	20.00 mm
PREFIX-050-022	22.00 mm
PREFIX-050-024	24.00 mm
PREFIX-050-026	26.00 mm
PREFIX-050-028	28.00 mm
PREFIX-050-030	30.00 mm
PREFIX-050-032	32.00 mm

ITEM NUMBER	(C) OVERALL LENGTH
-------------	-----------------------

PREFIX-050-033	33.00 mm
PREFIX-050-036	36.00 mm
PREFIX-050-040	40.00 mm
PREFIX-050-045	45.00 mm
PREFIX-050-050	50.00 mm
+0.80/-0.00 mm	
PREFIX-050-055	55.00 mm
PREFIX-050-060	60.00 mm

6.00 mm	
(A) Outside Diameter: +0.012/+0.004 mm	
+0.30/-0.00 mm	
PREFIX-060-006	6.00 mm
PREFIX-060-008	8.00 mm
PREFIX-060-010	10.00 mm
+0.50/-0.00 mm	
PREFIX-060-012	12.00 mm
PREFIX-060-014	14.00 mm
PREFIX-060-016	16.00 mm
PREFIX-060-018	18.00 mm
PREFIX-060-020	20.00 mm
PREFIX-060-022	22.00 mm
PREFIX-060-024	24.00 mm
PREFIX-060-026	26.00 mm
PREFIX-060-028	28.00 mm
PREFIX-060-030	30.00 mm
PREFIX-060-032	32.00 mm
PREFIX-060-036	36.00 mm
PREFIX-060-040	40.00 mm
PREFIX-060-045	45.00 mm
PREFIX-060-050	50.00 mm
+0.80/-0.00 mm	
PREFIX-060-055	55.00 mm
PREFIX-060-060	60.00 mm
PREFIX-060-070	70.00 mm
PREFIX-060-080	80.00 mm
PREFIX-060-090	90.00 mm
PREFIX-060-100	100.00 mm

8.00 mm	
(A) Outside Diameter: +0.015/+0.006 mm	
+0.30/-0.00 mm	
PREFIX-080-008	8.00 mm
PREFIX-080-010	10.00 mm
+0.50/-0.00 mm	
PREFIX-080-012	12.00 mm
PREFIX-080-014	14.00 mm
PREFIX-080-016	16.00 mm
PREFIX-080-018	18.00 mm
PREFIX-080-020	20.00 mm
PREFIX-080-022	22.00 mm
PREFIX-080-024	24.00 mm
PREFIX-080-026	26.00 mm

FOR DETAILED SPECIFICATIONS AND TOLERANCES, VISIT HUYETT.COM.

Prices, materials, dimensions, tolerances, designs, and grades subject to change without notice. © 2015 G.L. Huyett

*Limited warranty for surface finish: 30 days from date of shipment. See page 8 for details.

DOWEL PINS

HUYETT.COM • 785-392-3017

BOX 232 • MINNEAPOLIS, KS • 67467
SALES@HUYETT.COM • FAX 785-392-2845

STANDARD – METRIC

DIN 7

ITEM NUMBER	(C) OVERALL LENGTH
-------------	-----------------------

8.00 mm

(A) Outside Diameter: +0.015/+0.006 mm

	+0.50/-0.00 mm
PREFIX-080-028	28.00 mm
PREFIX-080-030	30.00 mm
PREFIX-080-032	32.00 mm
PREFIX-080-036	36.00 mm
PREFIX-080-040	40.00 mm
PREFIX-080-045	45.00 mm
PREFIX-080-050	50.00 mm
	+0.80/-0.00 mm
PREFIX-080-055	55.00 mm
PREFIX-080-060	60.00 mm
PREFIX-080-070	70.00 mm
PREFIX-080-080	80.00 mm
PREFIX-080-090	90.00 mm
PREFIX-080-100	100.00 mm
PREFIX-080-110	110.00 mm
PREFIX-080-120	120.00 mm

10.00 mm

(A) Outside Diameter: +0.015/+0.006 mm

	+0.30/-0.00 mm
PREFIX-100-010	10.00 mm
PREFIX-100-011	11.00 mm
	+0.50/-0.00 mm
PREFIX-100-012	12.00 mm
PREFIX-100-014	14.00 mm
PREFIX-100-016	16.00 mm
PREFIX-100-018	18.00 mm
PREFIX-100-020	20.00 mm
PREFIX-100-022	22.00 mm
PREFIX-100-024	24.00 mm
PREFIX-100-026	26.00 mm
PREFIX-100-028	28.00 mm
PREFIX-100-030	30.00 mm
PREFIX-100-032	32.00 mm
PREFIX-100-036	36.00 mm
PREFIX-100-040	40.00 mm
PREFIX-100-045	45.00 mm
PREFIX-100-050	50.00 mm
	+0.80/-0.00 mm
PREFIX-100-055	55.00 mm
PREFIX-100-060	60.00 mm
PREFIX-100-070	70.00 mm
PREFIX-100-080	80.00 mm
PREFIX-100-090	90.00 mm

ITEM NUMBER	(C) OVERALL LENGTH
-------------	-----------------------

PREFIX-100-100	100.00 mm
PREFIX-100-110	110.00 mm
PREFIX-100-120	120.00 mm

12.00 mm

(A) Outside Diameter: +0.018/+0.007 mm

	+0.50/-0.00 mm
PREFIX-120-012	12.00 mm
PREFIX-120-014	14.00 mm
PREFIX-120-016	16.00 mm
PREFIX-120-018	18.00 mm
PREFIX-120-020	20.00 mm
PREFIX-120-022	22.00 mm
PREFIX-120-024	24.00 mm
PREFIX-120-026	26.00 mm
PREFIX-120-028	28.00 mm
PREFIX-120-030	30.00 mm
PREFIX-120-032	32.00 mm
PREFIX-120-036	36.00 mm
PREFIX-120-040	40.00 mm
PREFIX-120-045	45.00 mm
PREFIX-120-050	50.00 mm
	+0.80/-0.00 mm
PREFIX-120-055	55.00 mm
PREFIX-120-060	60.00 mm
PREFIX-120-070	70.00 mm
PREFIX-120-080	80.00 mm
PREFIX-120-090	90.00 mm
PREFIX-120-100	100.00 mm
PREFIX-120-110	110.00 mm
PREFIX-120-120	120.00 mm

14.00 mm

(A) Outside Diameter: +0.018/+0.007 mm

	+0.50/-0.00 mm
PREFIX-140-020	20.00 mm
PREFIX-140-022	22.00 mm
PREFIX-140-024	24.00 mm
PREFIX-140-026	26.00 mm
PREFIX-140-028	28.00 mm
PREFIX-140-030	30.00 mm
PREFIX-140-032	32.00 mm
PREFIX-140-036	36.00 mm
PREFIX-140-040	40.00 mm
PREFIX-140-045	45.00 mm
PREFIX-140-050	50.00 mm
	+0.80/-0.00 mm
PREFIX-140-055	55.00 mm

ITEM NUMBER	(C) OVERALL LENGTH
-------------	-----------------------

PREFIX-140-060	60.00 mm
PREFIX-140-070	70.00 mm
PREFIX-140-080	80.00 mm
PREFIX-140-090	90.00 mm
PREFIX-140-100	100.00 mm
PREFIX-140-110	110.00 mm
PREFIX-140-120	120.00 mm

16.00 mm

(A) Outside Diameter: +0.018/+0.007 mm

	+0.50/-0.00 mm
PREFIX-160-020	20.00 mm
PREFIX-160-022	22.00 mm
PREFIX-160-024	24.00 mm
PREFIX-160-026	26.00 mm
PREFIX-160-028	28.00 mm
PREFIX-160-030	30.00 mm
PREFIX-160-032	32.00 mm
PREFIX-160-036	36.00 mm
PREFIX-160-040	40.00 mm
PREFIX-160-045	45.00 mm
PREFIX-160-050	50.00 mm
	+0.80/-0.00 mm
PREFIX-160-055	55.00 mm
PREFIX-160-060	60.00 mm
PREFIX-160-070	70.00 mm
PREFIX-160-080	80.00 mm
PREFIX-160-090	90.00 mm
PREFIX-160-100	100.00 mm
PREFIX-160-110	110.00 mm
PREFIX-160-120	120.00 mm

20.00 mm

(A) Outside Diameter: +0.021/+0.008 mm

	+0.50/-0.00 mm
PREFIX-200-020	20.00 mm
PREFIX-200-022	22.00 mm
PREFIX-200-024	24.00 mm
PREFIX-200-026	26.00 mm
PREFIX-200-028	28.00 mm
PREFIX-200-030	30.00 mm
PREFIX-200-032	32.00 mm
PREFIX-200-036	36.00 mm
PREFIX-200-040	40.00 mm
PREFIX-200-045	45.00 mm
PREFIX-200-050	50.00 mm
	+0.80/-0.00 mm
PREFIX-200-055	55.00 mm

TO ORDER, REPLACE PREFIX
WITH YOUR CHOICE:

DOWN • DOWN6 • DOWNMS

IN STOCK
ORDERS SHIP NEXT
BUSINESS DAY

FOR DETAILED SPECIFICATIONS AND TOLERANCES, VISIT HUYETT.COM.

Prices, materials, dimensions, tolerances, designs, and grades subject to change without notice. © 2015 G.L. Huyett

*Limited warranty for surface finish: 30 days from date of shipment. See page 8 for details.



DOWEL PINS

HUYETT.COM • 785-392-3017

DIN 7

STANDARD – METRIC

PREFIX MATERIAL/FINISH

- DOWM** = CARBON STEEL, PLAIN*
 - DOWM6** = 316 STAINLESS STEEL, PLAIN
 - DOWM8** = 300 SERIES STAINLESS STEEL, PLAIN
- Material/finish combinations may not be available in all sizes.



ITEM NUMBER	(C) OVERALL LENGTH
PREFIX-200-060	60.00 mm
PREFIX-200-070	70.00 mm
PREFIX-200-080	80.00 mm
PREFIX-200-090	90.00 mm
PREFIX-200-100	100.00 mm
PREFIX-200-110	110.00 mm
PREFIX-200-120	120.00 mm

ITEM NUMBER	(C) OVERALL LENGTH
PREFIX-250-060	60.00 mm
PREFIX-250-070	70.00 mm
PREFIX-250-080	80.00 mm
PREFIX-250-090	90.00 mm
PREFIX-250-100	100.00 mm
PREFIX-250-110	110.00 mm
PREFIX-250-120	120.00 mm
PREFIX-250-140	140.00 mm
PREFIX-250-150	150.00 mm

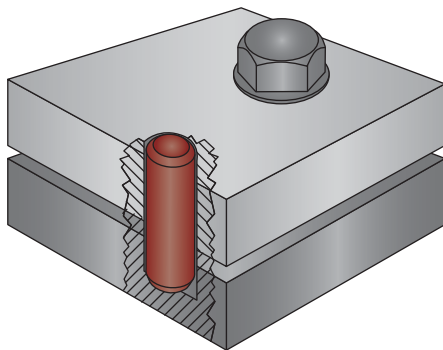
ITEM NUMBER	(C) OVERALL LENGTH
	+0.80/-0.00 mm
PREFIX-300-055	55.00 mm
PREFIX-300-060	60.00 mm
PREFIX-300-070	70.00 mm
PREFIX-300-080	80.00 mm
PREFIX-300-090	90.00 mm
PREFIX-300-100	100.00 mm
PREFIX-300-110	110.00 mm
PREFIX-300-120	120.00 mm
PREFIX-300-140	140.00 mm
PREFIX-300-150	150.00 mm

25.00 mm	
(A) Outside Diameter: +0.021/+0.008 mm	
	+0.50/-0.00 mm
PREFIX-250-032	32.00 mm
PREFIX-250-036	36.00 mm
PREFIX-250-040	40.00 mm
PREFIX-250-045	45.00 mm
PREFIX-250-050	50.00 mm
	+0.80/-0.00 mm
PREFIX-250-055	55.00 mm

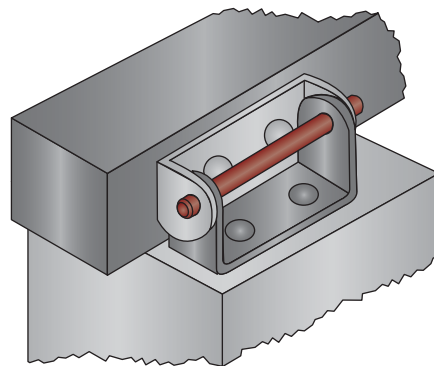
30.00 mm	
(A) Outside Diameter: +0.021/+0.008 mm	
	+0.50/-0.00 mm
PREFIX-300-032	32.00 mm
PREFIX-300-036	36.00 mm
PREFIX-300-040	40.00 mm
PREFIX-300-045	45.00 mm
PREFIX-300-050	50.00 mm

32.00 mm	
(A) Outside Diameter: +0.021/+0.008 mm	
	+0.80/-0.00 mm
PREFIX-320-076	76.00 mm

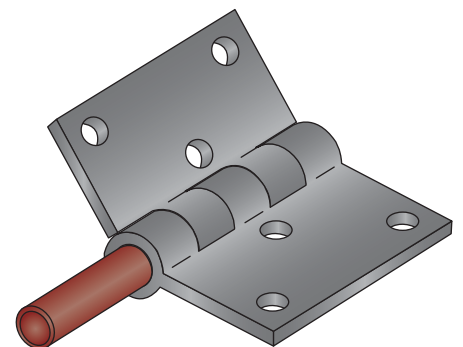
APPLICATIONS



AS AN ALIGNMENT DEVICE



IN A HINGE



WE ALSO OFFER:



Grease Fittings & Accessories



Machine Keys & Keystock



Retaining Rings & Clips



Pins & Wireforms



Shafting & Shaft Collars



Washers, Bushings, & Shims

FOR DETAILED SPECIFICATIONS AND TOLERANCES, VISIT HUYETT.COM.

Prices, materials, dimensions, tolerances, designs, and grades subject to change without notice. © 2015 G.L. Huyett

*Limited warranty for surface finish: 30 days from date of shipment. See page 8 for details.