



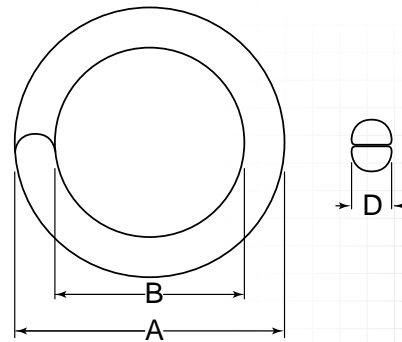
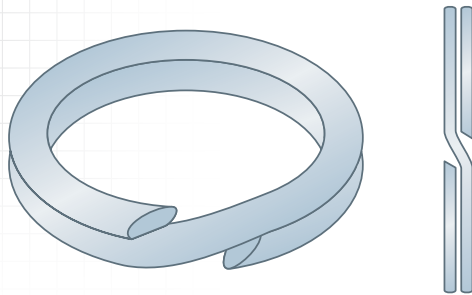
## SPLIT RING

### DESCRIPTION

Heavy duty wire with an off-set or "kickout" to ease installation. Generally made from heavier gauge wire than circle cotters.

### HOW TO IDENTIFY

1. Verify circular loop with offset.
2. Measure inside diameter (B).
3. Measure outside diameter (A).
4. Find the part in the chart below.



### PREFIX MATERIAL/FINISH

- SRN** = SPRING TEMPERED STEEL, NICKEL
  - SRZ** = SPRING TEMPERED STEEL, ZINC CLEAR
  - SR6** = STAINLESS STEEL, PLAIN
  - SR66** = 316 STAINLESS STEEL, PLAIN
- Material/finish combinations may not be available in all sizes.

ADDITIONAL SIZES AND FINISHES MAY BE AVAILABLE UPON REQUEST

ITEM NUMBER	(B) INSIDE DIAMETER	(A) OUTSIDE DIAMETER	(D) WIDTH
PREFIX-0107	.107"	.165"	.029"
PREFIX-0128	.128"	.190"	.031" (1/32)
PREFIX-0150	.150"	.220"	.035"
PREFIX-0174	.174"	.254"	.040"
PREFIX-0212	.212"	.292"	.040"
PREFIX-0242	.242"	.334"	.047" (3/64)
PREFIX-0288	.288"	.380"	.047" (3/64)
PREFIX-0328	.328" (21/64)	.430"	.051"
PREFIX-0382	.382"	.484" (31/64)	.051"
PREFIX-0428	.428"	.542"	.057"
PREFIX-0460	.460"	.604"	.072"
PREFIX-0526	.526"	.670"	.072"
PREFIX-0596	.596"	.740"	.072"
PREFIX-0707	.707"	.875"	.084"

ITEM NUMBER	(B) INSIDE DIAMETER	(A) OUTSIDE DIAMETER	(D) WIDTH
PREFIX-0802	.802"	.970"	.084"
PREFIX-0932	.932"	1.100"	.084"
PREFIX-0956	.956"	1.100"	.072"
PREFIX-1062	1.063" (1-1/16)	1.250" (1-1/4)	.094" (3/32)
PREFIX-1159	1.159"	1.375" (1-3/8)	.108"
PREFIX-1264	1.264"	1.480"	.108"
PREFIX-1396	1.396"	1.640"	.122"
PREFIX-1635	1.635"	1.865"	.115"
PREFIX-2016	2.016" (2-1/64)	2.240"	.112"
PREFIX-0392	.392"	.484" (31/64)	.040"
PREFIX-0740	.740"	.990"	.115"
PREFIX-2832	2.832"	3.063" (3-1/16)	.175"
PREFIX-1187	1.188" (1-3/16)	1.375" (1-3/8)	.188" (3/16)

TO ORDER, REPLACE PREFIX WITH YOUR CHOICE:

SRN • SRZ • SR6 • SR66

IN STOCK  
ORDERS SHIP NEXT  
BUSINESS DAY